



 **ATUSA**

ACTUATED VALVES

CATALOGUE 2024

VALVES AUTOMATION

Many current applications are based on a high degree of automation and control so we present here the automation of cast (butterfly) and stainless (ball) valves by pneumatic and electric rotary actuators. These actuators will position the valves in accordance with manoeuvring orders and once the desired position has been reached, they are deactivated and their status can be signalled to the control system by sensors.

SINGLE RETURN AND DOUBLE ACTING PNEUMATIC ACTUATORS

Rotary pneumatic actuator with “rack-pinion” system that transforms the energy of the compressed air into mechanical energy of rotation limited to a quarter turn (90°), suitable for the automation of any type of valve with a 90° turn (ball, butterfly, etc) guaranteeing a high number of cycles.

General characteristics:

Supply of pairs (air 6 bar) from 12 to 3120 Nm, extendable up to 10857 Nm.

Designed for possible configuration change from SE to DE and vice versa.

External adjustment of the angular running of the pistons (± 5) both in opening and closing.

Corrosion protection with hard anodizing applied on extruded aluminum housing.

Ingress protection IP67.

Non-ejectable shaft.

Pistons in injected aluminum, anodized and machined to prolong the life of the actuator.

Injected aluminum caps protected with epoxy.

Pinion in nickel-plated carbon steel.

AISI 304 stainless steel bolts.

Valve centering according to ISO 5211/DIN 3337.

NAMUR solenoid valve assembly and accessories NAMUR VDI/VDE 3845.

ATEX approval according to Directive 2014/34/EU.

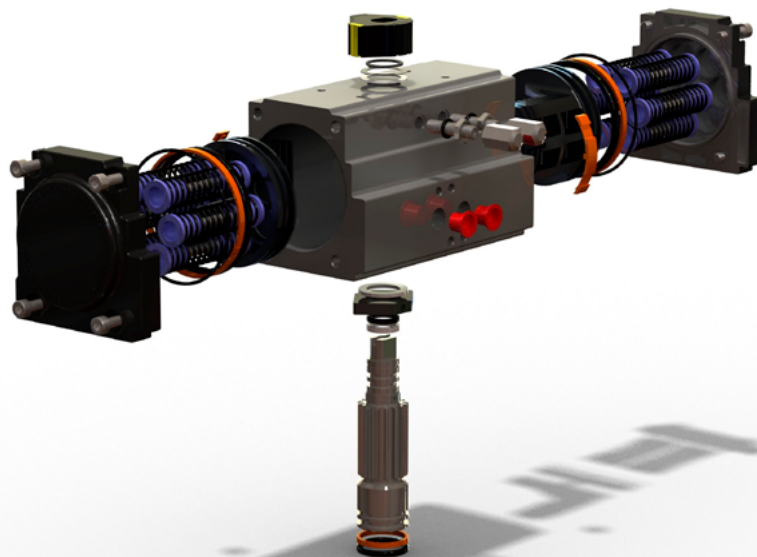
Configuration by default:

Simple effect : the actuator is supplied for clockwise rotation in the air failure mode, the valve will remain in closed position (NC).

- it is necessary to apply air pressure to open (compress the springs, counterclockwise turn).

- without air pressure the actuator returns to the initial position (NC, CLOSED valve) due to spring decompression.

Double effect: The actuator is supplied for anti-clockwise rotation when pressure is applied (compressed air is required for both opening and closing). On request, the direction of rotation of the pistons can be reversed.



ELECTRIC ACTUATORS

Multi-voltage electric actuator that transforms electrical energy into mechanical energy of rotation limited to a quarter turn (90°) by means of a brushless motor and a reducer that transmits the necessary torque to the shaft of the coupled valve. Electric actuator is ideal for automation of any type of valve with a 90° (ball, butterfly, etc) guaranteeing a high number of cycles. The installation of electric actuator allows to operate a valve without manual intervention of an operator through control devices placed remotely.

General characteristics:

Supply of pairs from 20 to 350 Nm.

Connector for multi-voltage power supply and auxiliary contacts.

Automatic or manual operation with manual emergency control.

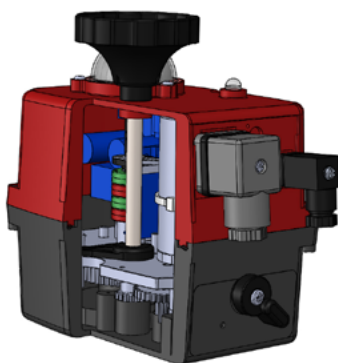
Visual position indicator: polyamide.

Electronic torque limiter.

Automatic internal temperature control.

Tamper switches.

Ingress protection IP67 s/IEC 60529.



WORKING CONDITIONS (PNEUMATIC AND ELECTRIC ACTUATORS)

Starting and manoeuvring torque under operating conditions may vary depending on fluid conditions. To avoid operational failures in the valve actuation must be respected the following conditions:

Pneumatic Actuators.

- Supply with filtered, dry or lubricated compressed air.
- Air supply pressure: minimum 6 bar.
- Temperature for standard construction: -20° C to 80° C.

Electric Actuators.

- Low voltage (type B), 12 VDC/VAC 50/60 Hz -0/+5%.
- High voltage (type S), 24 a 240VAC 50/60 Hz y 24-125VDC -0/+5%.
- Working temperature: -20° C to +70° C.
- Manoeuvring time without load: 10 to 48 seconds (90° C), consult for special manoeuvring time.
- Time under tension: 75%.

For other voltages please consult.

Pneumatic and electric actuators.

Type of fluids to conduct (*):

- non-aggressive liquids free of contaminants that can modify the friction of the valve opening-closing system.
- stable fluid speed.
- minimum defined monthly operating cycle.

(*) for any other type of fluid, whether liquid or gaseous, pre-order consultation.

OPTIONAL DEVICES (PNEUMATIC AND ELECTRIC ACTUATORS)

Standard devices are available in the accessories section. For any other type not specified please consult.

A 900 WAFER BUTTERFLY ACTUATED VALVE



PNEUMATIC ACTUATOR			
SINGLE RETURN		DOUBLE ACTING	
DN	CODE	DN	CODE
32	AS900032	32	AD900032
40	AS900040	40	AD900040
50	AS900050	50	AD900050
65	AS900065	65	AD900065
80	AS900080	80	AD900080
100	AS900100	100	AD900100
125	AS900125	125	AD900125
150	AS900150	150	AD900150
200	AS900200	200	AD900200
250	AS900250	250	AD900250
300	AS900300	300	AD900300
350	AS900350	350	AD900350
400	AS900400	400	AD900400
500	AS900500	500	AD900500

A 910 WAFER BUTTERFLY ACTUATED VALVE



PNEUMATIC ACTUATOR			
SINGLE RETURN		DOUBLE ACTING	
DN	CODE	DN	CODE
32	AS910032	32	AD910032
40	AS910040	40	AD910040
50	AS910050	50	AD910050
65	AS910065	65	AD910065
80	AS910080	80	AD910080
100	AS910100	100	AD910100
125	AS910125	125	AD910125
150	AS910150	150	AD910150
200	AS910200	200	AD910200
250	AS910250	250	AD910250
300	AS910300	300	AD910300
350	AS910350	350	AD910350
400	AS910400	400	AD910400
500	AS910500	500	AD910500



ELECTRIC ACTUATOR			
LOW VOLTAGE		HIGH VOLTAGE	
DN	CODE	DN	CODE
32	AB900032	32	AA900032
40	AB900040	40	AA900040
50	AB900050	50	AA900050
65	AB900065	65	AA900065
80	AB900080	80	AA900080
100	AB900100	100	AA900100
125	AB900125	125	AA900125
150	AB900150	150	AA900150
200	AB900200	200	AA900200
250	AB900250	250	AA900250



ELECTRIC ACTUATOR			
LOW VOLTAGE		HIGH VOLTAGE	
DN	CODE	DN	CODE
32	AB910032	32	AA910032
40	AB910040	40	AA910040
50	AB910050	50	AA910050
65	AB910065	65	AA910065
80	AB910080	80	AA910080
100	AB910100	100	AA910100
125	AB910125	125	AA910125
150	AB910150	150	AA910150
200	AB910200	200	AA910200
250	AB910250	250	AA910250

A 930 WAFER BUTTERFLY ACTUATED VALVE



PNEUMATIC ACTUATOR			
SINGLE RETURN		DOUBLE ACTING	
DN	CODE	DN	CODE
32	AS930032	32	AD930032
40	AS930040	40	AD930040
50	AS930050	50	AD930050
65	AS930065	65	AD930065
80	AS930080	80	AD930080
100	AS930100	100	AD930100
125	AS930125	125	AD930125
150	AS930150	150	AD930150
200	AS930200	200	AD930200
250	AS930250	250	AD930250
300	AS930300	300	AD930300
350	AS900350	350	AD900350
400	AS900400	400	AD900400
500	AS900500	500	AD900500

A 950 LUG BUTTERFLY ACTUATED VALVE



PNEUMATIC ACTUATOR			
SINGLE RETURN		DOUBLE ACTING	
DN	CODE	DN	CODE
32	AS950032	32	AD950032
40	AS950040	40	AD950040
50	AS950050	50	AD950050
65	AS950065	65	AD950065
80	AS950080	80	AD950080
100	AS950100	100	AD950100
125	AS950125	125	AD950125
150	AS950150	150	AD950150
200	AS950201	200	AD950201
200	AS950200	200	AD950200
250	AS950251	250	AD950251
250	AS950250	250	AD950250
300	AS950301	300	AD950301
300	AS950300	300	AD950300

Flanges:
■ PN 10
■ PN 10/16
■ PN 16



ELECTRIC ACTUATOR			
LOW VOLTAGE		HIGH VOLTAGE	
DN	CODE	DN	CODE
32	AB930032	32	AA930032
40	AB930040	40	AA930040
50	AB930050	50	AA930050
65	AB930065	65	AA930065
80	AB930080	80	AA930080
100	AB930100	100	AA930100
125	AB930125	125	AA930125
150	AB930150	150	AA930150
200	AB930200	200	AA930200
250	AB930250	250	AA930250



ELECTRIC ACTUATOR			
LOW VOLTAGE		HIGH VOLTAGE	
DN	CODE	DN	CODE
32	AB950032	32	AA950032
40	AB950040	40	AA950040
50	AB950050	50	AA950050
65	AB950065	65	AA950065
80	AB950080	80	AA950080
100	AB950100	100	AA950100
125	AB950125	125	AA950125
150	AB950150	150	AA950150
200	AB950201	200	AA950201
200	AB950200	200	AA950200
250	AB950251	250	AA950251
250	AB950250	250	AA950250

Flanges:
■ PN 10
■ PN 10/16
■ PN 16

A 960 LUG BUTTERFLY ACTUATED VALVE



PNEUMATIC ACTUATOR			
SINGLE RETURN		DOUBLE ACTING	
DN	CODE	DN	CODE
32	AS960032	32	AD960032
40	AS960040	40	AD960040
50	AS960050	50	AD960050
65	AS960065	65	AD960065
80	AS960080	80	AD960080
100	AS960100	100	AD960100
125	AS960125	125	AD960125
150	AS960150	150	AD960150
200	AS960201	200	AD960201
200	AS960200	200	AD960200
250	AS960251	250	AD960251
250	AS960250	250	AD960250
300	AS960301	300	AD960301
300	AS960300	300	AD960300

A 970 LUG BUTTERFLY ACTUATED VALVE



PNEUMATIC ACTUATOR			
SINGLE RETURN		DOUBLE ACTING	
DN	CODE	DN	CODE
32	AS970032	32	AD970032
40	AS970040	40	AD970040
50	AS970050	50	AD970050
65	AS970065	65	AD970065
80	AS970080	80	AD970080
100	AS970100	100	AD970100
125	AS970125	125	AD970125
150	AS970150	150	AD970150
200	AS970201	200	AD970201
200	AS970200	200	AD970200
250	AS970251	250	AD970251
250	AS970250	250	AD970250
300	AS970301	300	AD970301
300	AS970300	300	AD970300

Flanges:
■ PN 10
■ PN 10/16
■ PN 16



ELECTRIC ACTUATOR			
LOW VOLTAGE		HIGH VOLTAGE	
DN	CODE	DN	CODE
32	AB960032	32	AA960032
40	AB960040	40	AA960040
50	AB960050	50	AA960050
65	AB960065	65	AA960065
80	AB960080	80	AA960080
100	AB960100	100	AA960100
125	AB960125	125	AA960125
150	AB960150	150	AA960150
200	AB960201	200	AA960201
200	AB960200	200	AA960200
250	AB960251	250	AA960251
250	AB960250	250	AA960250



ELECTRIC ACTUATOR			
LOW VOLTAGE		HIGH VOLTAGE	
DN	CODE	DN	CODE
32	AB970032	32	AA970032
40	AB970040	40	AA970040
50	AB970050	50	AA970050
65	AB970065	65	AA970065
80	AB970080	80	AA970080
100	AB970100	100	AA970100
125	AB970125	125	AA970125
150	AB970150	150	AA970150
200	AB970201	200	AA970201
200	AB970200	200	AA970200
250	AB970251	250	AA970251
250	AB970250	250	AA970250

Flanges:
■ PN 10
■ PN 10/16
■ PN 16

ALIMENTARY ACTUATED VALVES

A 570 ACTUATED BALL VALVE



PNEUMATIC ACTUATOR			
SINGLE RETURN		DOUBLE ACTING	
DN	CODE	DN	CODE
15	AS570015	15	AD570015
20	AS570020	20	AD570020
25	AS570025	25	AD570025
32	AS570032	32	AD570032
40	AS570040	40	AD570040
50	AS570050	50	AD570050
65	AS570065	65	AD570065
80	AS570080	80	AD570080
100	AS570100	100	AD570100
125	AS570125	125	AD570125
150	AS570150	150	AD570150
200	AS570200	200	AD570200

Flanges: ■ PN 10/16
■ PN 16



ELECTRIC ACTUATOR			
LOW VOLTAGE		HIGH VOLTAGE	
DN	CODE	DN	CODE
15	AB570015	15	AA570015
20	AB570020	20	AA570020
25	AB570025	25	AA570025
32	AB570032	32	AA570032
40	AB570040	40	AA570040
50	AB570050	50	AA570050
65	AB570065	65	AA570065
80	AB570080	80	AA570080
100	AB570100	100	AA570100
125	AB570125	125	AA570125

Flanges: ■ PN 10/16

A 90E THREAD / THREAD



PNEUMATIC ACTUATOR				ELECTRIC ACTUATOR			
SINGLE RETURN		DOUBLE ACTING		SINGLE RETURN		DOUBLE ACTING	
DN	CODE	DN	CODE	DN	CODE	DN	CODE
25	AS90E025	25	AD90E025	25	AB90E025	25	AA90E025
32	AS90E032	32	AD90E032	32	AB90E032	32	AA90E032
40	AS90E040	40	AD90E040	40	AB90E040	40	AA90E040
50	AS90E050	50	AD90E050	50	AB90E050	50	AA90E050
65	AS90E065	65	AD90E065	65	AB90E065	65	AA90E065
80	AS90E080	80	AD90E080	80	AB90E080	80	AA90E080
100	AS90E100	100	AD90E100	100	AB90E100	100	AA90E100

A 91E THREAD / WELD



PNEUMATIC ACTUATOR				ELECTRIC ACTUATOR			
SINGLE RETURN		DOUBLE ACTING		SINGLE RETURN		DOUBLE ACTING	
DN	CODE	DN	CODE	DN	CODE	DN	CODE
25	AS91E025	25	AD91E025	25	AB91E025	25	AA91E025
32	AS91E032	32	AD91E032	32	AB91E032	32	AA91E032
40	AS91E040	40	AD91E040	40	AB91E040	40	AA91E040
50	AS91E050	50	AD91E050	50	AB91E050	50	AA91E050
65	AS91E065	65	AD91E065	65	AB91E065	65	AA91E065
80	AS91E080	80	AD91E080	80	AB91E080	80	AA91E080
100	AS91E100	100	AD91E100	100	AB91E100	100	AA91E100

A 92E WELD / WELD



PNEUMATIC ACTUATOR				ELECTRIC ACTUATOR			
SINGLE RETURN		DOUBLE ACTING		SINGLE RETURN		DOUBLE ACTING	
DN	CODE	DN	CODE	DN	CODE	DN	CODE
25	AS92E025	25	AD92E025	25	AB92E025	25	AA92E025
32	AS92E032	32	AD92E032	32	AB92E032	32	AA92E032
40	AS92E040	40	AD92E040	40	AB92E040	40	AA92E040
50	AS92E050	50	AD92E050	50	AB92E050	50	AA92E050
65	AS92E065	65	AD92E065	65	AB92E065	65	AA92E065
80	AS92E080	80	AD92E080	80	AB92E080	80	AA92E080
100	AS92E100	100	AD92E100	100	AB92E100	100	AA92E100

A I2PR TWO PIECES ACTUATED BALL VALVE WITH FULL BORE – THREADED



PNEUMATIC ACTUATOR			
SINGLE RETURN		DOUBLE ACTING	
Ø	CODE	Ø	CODE
1/4"	ASI2P061	1/4"	ADI2P061
3/8"	ASI2P062	3/8"	ADI2P062
1/2"	ASI2P063	1/2"	ADI2P063
3/4"	ASI2P064	3/4"	ADI2P064
1"	ASI2P065	1"	ADI2P065
1 1/4"	ASI2P066	1 1/4"	ADI2P066
1 1/2"	ASI2P067	1 1/2"	ADI2P067
2"	ASI2P068	2"	ADI2P068

A I3PR THREE PIECES ACTUATED BALL VALVE WITH FULL BORE SOCKET WELD



PNEUMATIC ACTUATOR			
SINGLE RETURN		DOUBLE ACTING	
Ø	CODE	Ø	CODE
1/2"	ASI3P063	1/2"	ADI3P063
3/4"	ASI3P064	3/4"	ADI3P064
1"	ASI3P065	1"	ADI3P065
1 1/4"	ASI3P066	1 1/4"	ADI3P066
1 1/2"	ASI3P067	1 1/2"	ADI3P067
2"	ASI3P068	2"	ADI3P068
2 1/2"	ASI3P069	2 1/2"	ADI3P069
3"	ASI3P06A	3"	ADI3P06A
4"	ASI3P06C	4"	ADI3P06C



ELECTRIC ACTUATOR			
LOW VOLTAGE		HIGH VOLTAGE	
Ø	CODE	Ø	CODE
1/4"	ABI2P061	1/4"	AAI2P061
3/8"	ABI2P062	3/8"	AAI2P062
1/2"	ABI2P063	1/2"	AAI2P063
3/4"	ABI2P064	3/4"	AAI2P064
1"	ABI2P065	1"	AAI2P065
1 1/4"	ABI2P066	1 1/4"	AAI2P066
1 1/2"	ABI2P067	1 1/2"	AAI2P067
2"	ABI2P068	2"	AAI2P068



ELECTRIC ACTUATOR			
LOW VOLTAGE		HIGH VOLTAGE	
Ø	CODE	Ø	CODE
1/2"	ABI3P063	1/2"	AAI3P063
3/4"	ABI3P064	3/4"	AAI3P064
1"	ABI3P065	1"	AAI3P065
1 1/4"	ABI3P066	1 1/4"	AAI3P066
1 1/2"	ABI3P067	1 1/2"	AAI3P067
2"	ABI3P068	2"	AAI3P068
2 1/2"	ABI3P069	2 1/2"	AAI3P069
3"	ABI3P06A	3"	AAI3P06A
4"	ABI3P06C	4"	AAI3P06C

A I3PB

THREE PIECES ACTUATED BALL VALVE WITH FULL BORE - BUTT WELD



PNEUMATIC ACTUATOR			
SINGLE RETURN		DOUBLE ACTING	
Ø	CODE	Ø	CODE
1/2"	ASI3PB63	1/2"	ADI3PB63
3/4"	ASI3PB64	3/4"	ADI3PB64
1"	ASI3PB65	1"	ADI3PB65
1 1/4"	ASI3PB66	1 1/4"	ADI3PB66
1 1/2"	ASI3PB67	1 1/2"	ADI3PB67
2"	ASI3PB68	2"	ADI3PB68
2 1/2"	ASI3PB69	2 1/2"	ADI3PB69
3"	ASI3PB6A	3"	ADI3PB6A
4"	ASI3PB6C	4"	ADI3PB6C

A I3PS

THREE PIECES ACTUATED BALL VALVE WITH FULL BORE SOCKET WELD



PNEUMATIC ACTUATOR			
SINGLE RETURN		DOUBLE ACTING	
Ø	CODE	Ø	CODE
1/2"	ASI3PS63	1/2"	ADI3PS63
3/4"	ASI3PS64	3/4"	ADI3PS64
1"	ASI3PS65	1"	ADI3PS65
1 1/4"	ASI3PS66	1 1/4"	ADI3PS66
1 1/2"	ASI3PS67	1 1/2"	ADI3PS67
2"	ASI3PS68	2"	ADI3PS68
2 1/2"	ASI3PS69	2 1/2"	ADI3PS69
3"	ASI3PS6A	3"	ADI3PS6A
4"	ASI3PS6C	4"	ADI3PS6C



ELECTRIC ACTUATOR			
LOW VOLTAGE		HIGH VOLTAGE	
Ø	CODE	Ø	CODE
1/2"	ABI3PB63	1/2"	AAI3PB63
3/4"	ABI3PB64	3/4"	AAI3PB64
1"	ABI3PB65	1"	AAI3PB65
1 1/4"	ABI3PB66	1 1/4"	AAI3PB66
1 1/2"	ABI3PB67	1 1/2"	AAI3PB67
2"	ABI3PB68	2"	AAI3PB68
2 1/2"	ABI3PB69	2 1/2"	AAI3PB69
3"	ABI3PB6A	3"	AAI3PB6A
4"	ABI3PB6C	4"	AAI3PB6C



ELECTRIC ACTUATOR			
LOW VOLTAGE		HIGH VOLTAGE	
Ø	CODE	Ø	CODE
1/2"	ABI3PS63	1/2"	AAI3PS63
3/4"	ABI3PS64	3/4"	AAI3PS64
1"	ABI3PS65	1"	AAI3PS65
1 1/4"	ABI3PS66	1 1/4"	AAI3PS66
1 1/2"	ABI3PS67	1 1/2"	AAI3PS67
2"	ABI3PS68	2"	AAI3PS68
2 1/2"	ABI3PS69	2 1/2"	AAI3PS69
3"	ABI3PS6A	3"	AAI3PS6A
4"	ABI3PS6C	4"	AAI3PS6C

A I3VT/I3VL

THREE WAYS ACTUATED BALL VALVE - "T" & "L" TYPES



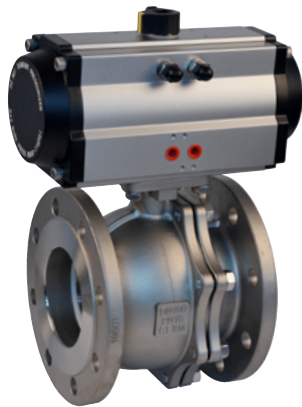
PNEUMATIC ACTUATOR					
SINGLE RETURN			DOUBLE ACTING		
Ø	CODE T	CODE L	Ø	CODE T	CODE L
1/4"	ASI3VT61	ASI3VL61	1/4"	ADI3VT61	ADI3VL61
3/8"	ASI3VT62	ASI3VL62	3/8"	ADI3VT62	ADI3VL62
1/2"	ASI3VT63	ASI3VL63	1/2"	ADI3VT63	ADI3VL63
3/4"	ASI3VT64	ASI3VL64	3/4"	ADI3VT64	ADI3VL64
1"	ASI3VT65	ASI3VL65	1"	ADI3VT65	ADI3VL65
1 1/4"	ASI3VT66	ASI3VL66	1 1/4"	ADI3VT66	ADI3VL66
1 1/2"	ASI3VT67	ASI3VL67	1 1/2"	ADI3VT67	ADI3VL67
2"	ASI3VT68	ASI3VL68	2"	ADI3VT68	ADI3VL68



ELECTRIC ACTUATOR					
LOW VOLTAGE			HIGH VOLTAGE		
Ø	CODE T	CODE L	Ø	CODE T	CODE L
1/4"	ABI3VT61	ABI3VL61	1/4"	AAI3VT61	AAI3VL61
3/8"	ABI3VT62	ABI3VL62	3/8"	AAI3VT62	AAI3VL62
1/2"	ABI3VT63	ABI3VL63	1/2"	AAI3VT63	AAI3VL63
3/4"	ABI3VT64	ABI3VL64	3/4"	AAI3VT64	AAI3VL64
1"	ABI3VT65	ABI3VL65	1"	AAI3VT65	AAI3VL65
1 1/4"	ABI3VT66	ABI3VL66	1 1/4"	AAI3VT66	AAI3VL66
1 1/2"	ABI3VT67	ABI3VL67	1 1/2"	AAI3VT67	AAI3VL67
2"	ABI3VT68	ABI3VL68	2"	AAI3VT68	AAI3VL68

A I2PB

TWO PIECES ACTUATED BALL VALVE WITH FULL BORE – FLANGED



PNEUMATIC ACTUATOR

SINGLE RETURN			DOUBLE ACTING		
Ø	DN	CODE	Ø	DN	CODE
1/2"	15	ASI2B015	1/2"	15	ADI2B015
3/4"	20	ASI2B020	3/4"	20	ADI2B020
1"	25	ASI2B025	1"	25	ADI2B025
1 1/4"	32	ASI2B032	1 1/4"	32	ADI2B032
1 1/2"	40	ASI2B040	1 1/2"	40	ADI2B040
2"	50	ASI2B050	2"	50	ADI2B050
2 1/2"	65	ASI2B065	2 1/2"	65	ADI2B065
3"	80	ASI2B080	3"	80	ADI2B080
4"	100	ASI2B100	4"	100	ADI2B100
5"	125	ASI2B125	5"	125	ADI2B125
6"	150	ASI2B150	6"	150	ADI2B150



ELECTRIC ACTUATOR

LOW VOLTAGE			HIGH VOLTAGE		
Ø	DN	CODE	Ø	DN	CODE
1/2"	15	ABI2B015	1/2"	15	AAI2B015
3/4"	20	ABI2B020	3/4"	20	AAI2B020
1"	25	ABI2B025	1"	25	AAI2B025
1 1/4"	32	ABI2B032	1 1/4"	32	AAI2B032
1 1/2"	40	ABI2B040	1 1/2"	40	AAI2B040
2"	50	ABI2B050	2"	50	AAI2B050
2 1/2"	65	ABI2B065	2 1/2"	65	AAI2B065
3"	80	ABI2B080	3"	80	AAI2B080
4"	100	ABI2B100	4"	100	AAI2B100
5"	125	ABI2B125	5"	125	AAI2B125
6"	150	ABI2B150	6"	150	AAI2B150

ACCESSORIES



YT-3300 R DIGITAL ELECTROPNEUMATIC POSITIONER

Aluminum / IP66 / DC 4-20mA / standard operation -30° C a 85° C / 1,4-7,0 bar / 2.8 kg. Consult options (stainless steel housing, communication HART, PTM load, tamper switch, extra low T^a).

CODE
ACPOSI01



YT-1000 R ELECTROPNEUMATIC POSITIONER

Aluminum / IP66 / DC 4-20mA / standard operation -20° C a 70° C / 1,4-7,0 bar / 2.8 kg. Consult options (stainless steel housing, PTM load, tamper switch, high-low T^a, dome indicator).

CODE
ACPOSI02



YT-1200 R PNEUMATIC POSITIONER

Aluminum / Signal IN 0,2-1,0 bar / Supply 1,4-7,0 bar / standard operation -20 C to 70 C / 1.7 kg. Consult options (stainless steel housing, high-low T^a, PTM-SVR ext. load, tamper switch, dome indicator).

CODE
ACPOSI03



DPS DIGITAL POSITIONER FOR ELECTRICAL ACTUATOR

Digital control system for 4/20mA or 0/10V signal control.

DESCRIPTION	CODE
KIT DPS J4C 20/85	ACPOSI04
KIT DPS J4C-140/300	ACPOSI05



BSR BATTERY SYSTEM RETURN FOR ELECTRIC ACTUATOR

Return system to safety position by battery.

DESCRIPTION	CODE
KIT BSR J4C-20/85	ACBSR001
KIT BSR J4C-140/300	ACBSR002



SPEED CONTROL MODULE PNEUMATIC ACTUATOR

CODE
ACPLAC01



MUFFLER

DESCRIPTION	CODE
MUFFLER	ACSILE01
EXHAUST REGULATOR	ACREGU01



MANUAL REDUCER (Single and Double acting)

DESCRIPTION	CODE
MANUAL REDUCER DESEMB. ACTS.PNEUM. 52-105	ACRMD001
MANUAL REDUCER DESEMB. ACTS.PNEUM. 125-140	ACRMD002
MANUAL REDUCER DESEMB. ACTS.PNEUM. 160	ACRMD003
MANUAL REDUCER DESEMB. ACTS.PNEUM. 190-210	ACRMD004
MANUAL REDUCER DESEMB. ACTS.PNEUM. 240-300	ACRMD005

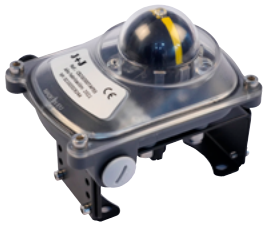
Note: couplings are not included.



EXD TAMPER SWITCH

Aluminum / EexdIICT6 protection / IP67 / M20 / Shaft and support in INOX / 2 micros electromechanical SPDT.
Consult options (stainless steel housing, inductive).
Other tamper switches are requested to consult.

CODE
ACFINC01



CB TAMPER SWITCH

PP+15% FV / IP67 / Transparent ABS lid with dome visor/ Press and cap M16 / Adjustable bracket / 2 micro electromechanical SPDT. Consult options (micro SPDT, inductive detectors).
Other tamper switch please consult.

CODE
ACFINC02

SOLENOID VALVES

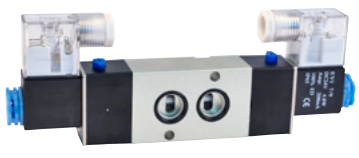
5/2

VOLTAGE*	CODE
24V DC	ACEV5201
24V AC	ACEV5202
220V AC	ACEV5203



5 WAY BISTABLE

VOLTAGE*	CODE
24V DC	ACEVB101
24V AC	ACEVB102
220V AC	ACEVB103



3/2

VOLTAGE*	CODE
24V DC	ACEV3201
24V AC	ACEV3202
220V AC	ACEV3203



Other solenoid valves are requested to consult.



ATUSA GRUPO EMPRESARIAL S.A.

Polígono Industrial ATUSA - Agurain
01200 SALVATIERRA - Álava - **ESPAÑA**

Tel. +34 945180000

export@atusagroup.com

www.atusagroup.com