

The ATUSA logo consists of a white diamond shape with a black outline, containing a white chevron pointing to the right. To the right of this symbol, the word "ATUSA" is written in a bold, white, sans-serif font.

ATUSA

A close-up photograph of a red, curved metal component, likely a part of a hydraulic system. The component has a textured surface and features several embossed markings, including a diamond-shaped logo and the word "ATUSA". A circular metal cap is visible on the lower left, with "PB" and "88" embossed on it. The background is a gradient of green and yellow.

NUT - SYSTEM

PREILISTE 2022

NUT - SYSTEM

Hergestellt aus Sphäroguss gemäß ASTM A-536 Klasse 65-45-12, mit Dichtung (EPDM Klasse E gemäß ASTM D-2000) und den dazugehörigen Spannelementen (elektroverzinkte Stahlschrauben und Muttern). Sie werden feuerverzinkt oder rot lackiert angeboten.

Geeignet für den Transport von Flüssigkeiten wie Wasser, ölfreier Luft und einer Vielzahl von Chemikalien, sind für Feuerlöschanlagen nach FM Approvals 1920, UL 213 und VdS 2100-06 / 2344 zertifiziert.

Die Ventile sind für Feuerwehren nach FM, UL und VdS-Normen zertifiziert.



FM (Factory Mutual Research Corp.)



VdS (Vertrauen durch Sicherheit)



UL (Underwriter's Laboratories, Inc.)



WRAS (Water Regulations Advisory Scheme Ltd.)

EPDM Rubber Approval

ATUSA

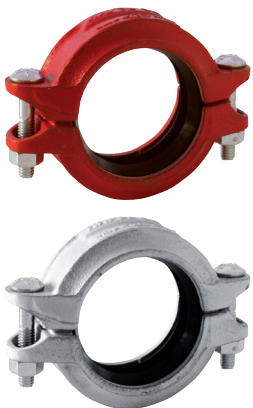


RN STARRE KUPPLUNGEN NORMAL



Ø	Ø AD. mm.	DN		ART-NR ROT (RAL 3000)	€	ART-NR VERZINKT	€
1"	33,7	25	32	6RN2G205	6,60	6RN2G505	7,75
1 1/4"	42,4	32	27	6RN2G206	6,75	6RN2G506	8,10
1 1/2"	48,3	40	24	6RN2G207	7,00	6RN2G507	8,40
2"	60,3	50	16	6RN2G208	7,40	6RN2G508	8,95
2 1/2"	76,1	65	12	6RN2G20B	7,55	6RN2G50B	9,25
3"	88,9	80	20	6RN2G20A	11,95	6RN2G50A	14,40
4"	114,3	100	10	6RN2G20C	18,40	6RN2G50C	21,90
5"	139,7	125	8	6RN2G20H	20,75	6RN2G50H	24,45
6 1/2" O.D	165,1	150	5	6RN2G20K	26,15	6RN2G50K	31,75
6"	168,3	150	5	6RN2G20E	26,00	6RN2G50E	31,45
8"	219,1	200	3	6RN2G20M	47,20	6RN2G50M	57,35
10"	273,0	250	3	6RN2G20N	97,30	6RN2G50N	117,70
12"	323,9	300	3	6RN2G20Q	98,15	6RN2G50Q	120,80

RS STARRE KUPPLUNGEN NORMAL "S"



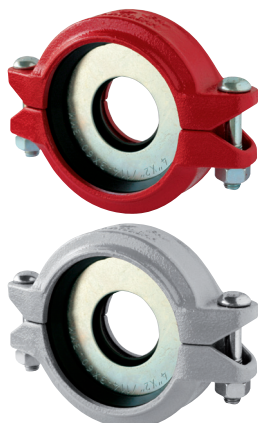
Ø	Ø AD. mm.	DN		ART-NR ROT (RAL 3000)	€	ART-NR VERZINKT	€
2 1/2"	76,1	65	12	6RN2G20B	7,55	6RN2G50B	9,25
3"	88,9	80	20	6RS2G20A	9,35	6RS2G50A	11,40
4"	114,3	100	11	6RS2G20C	14,15	6RS2G50C	17,15
5"	139,7	125	8	6RS2G20H	16,00	6RS2G50H	19,65
6 1/2" O.D	165,1	150	7	6RS2G20K	20,00	6RS2G50K	24,20
6"	168,3	150	7	6RS2G20E	19,85	6RS2G50E	23,85
8"	219,1	200	3	6RS2G20M	37,65	6RS2G50M	45,35
10"	273,0	250	3	6RS2G20N	92,00	6RS2G50N	110,30


FN FLEXIBLE KUPPLUNGEN NORMAL



Ø	Ø AD. mm.	DN		ART-NR ROT (RAL 3000)	€	ART-NR VERZINKT	€
1"	33,7	25	32	6FN2G205	6,05	6FN2G505	6,95
1 1/4"	42,4	32	27	6FN2G206	6,25	6FN2G506	7,20
1 1/2"	48,3	40	24	6FN2G207	6,65	6FN2G507	7,50
2"	60,3	50	16	6FN2G208	6,80	6FN2G508	7,90
2 1/2"	76,1	65	12	6FN2G20B	8,80	6FN2G50B	10,10
3"	88,9	80	20	6FN2G20A	10,75	6FN2G50A	12,35
4"	114,3	100	10	6FN2G20C	16,60	6FN2G50C	19,40
5"	139,7	125	8	6FN2G20H	21,20	6FN2G50H	25,30
6 1/2" O.D	165,1	150	5	6FN2G20K	25,70	6FN2G50K	30,15
6"	168,3	150	5	6FN2G20E	25,55	6FN2G50E	29,95
8"	219,1	200	3	6FN2G20M	45,35	6FN2G50M	51,40
10"	273,0	250	3	6FN2G20N	87,55	6FN2G50N	99,20
12"	323,9	300	3	6FN2G20Q	95,15	6FN2G50Q	109,50


FR REDUZIerte KUPPLUNG



Ø	Ø AD. mm.	DN		ART-NR ROT (RAL 3000)	€	ART-NR VERZINKT	€
2"x1 1/2"	60,3x48,3	50x40	16	6FR2G287	26,15	6FR2G587	31,40
2 1/2"x2"	76,1x60,3	65x50	12	6FR2G2B8	31,40	6FR2G5B8	37,50
3"x2"	88,9x60,3	80x50	16	6FR2G2A8	34,85	6FR2G5A8	41,75
3"x2 1/2"	88,9x76,1	80x65	16	6FR2G2AB	34,85	6FR2G5AB	41,75
4"x2"	114,3x60,3	100x50	8	6FR2G2C8	46,25	6FR2G5C8	55,90
4"x2 1/2"	114,3x76,1	100x65	8	6FR2G2CB	46,25	6FR2G5CB	55,90
4"x3"	114,3x88,9	100x80	8	6FR2G2CA	46,25	6FR2G5CA	55,90

DS1 EINFACHER ABGANG MIT GEWINDE



Ø	Ø AD. mm.	DN		ART-NR ROT (RAL 3000)	€	ART-NR VERZINKT	€
1 1/4"x1"	42,4x33,7	32x25	30	6DS2T265	8,40	6DS2T565	10,10
1 1/2"x1"	48,3x33,7	40x25	30	6DS2T275	9,25	6DS2T575	11,15
2"x1/2"	60,3x21,3	50x15	18	6DS2T283	13,65	6DS2T583	16,40
2"x3/4"	60,3x26,9	50x20	18	6DS2T284	13,65	6DS2T584	16,40
2"x1"	60,3x33,7	50x25	18	6DS2T285	13,65	6DS2T585	16,40
2"x1 1/4"	60,3x42,4	50x32	12	6DS2T286	13,65	6DS2T586	16,40
2"x1 1/2"	60,3x48,3	50x40	15	6DS2T287	13,65	6DS2T587	16,40
2 1/2"x1/2"	76,1x21,3	65x15	10	6DS2T2B3	17,70	6DS2T5B3	20,70
2 1/2"x3/4"	76,1x26,9	65x20	10	6DS2T2B4	17,70	6DS2T5B4	20,70
2 1/2"x1"	76,1x33,7	65x25	10	6DS2T2B5	17,70	6DS2T5B5	20,70
2 1/2"x1 1/4"	76,1x42,4	65x32	8	6DS2T2B6	17,70	6DS2T5B6	20,70
2 1/2"x1 1/2"	76,1x48,3	65x40	8	6DS2T2B7	17,70	6DS2T5B7	20,70
3"x1/2"	88,9x21,3	80x15	6	6DS2T2A3	18,25	6DS2T5A3	21,45
3"x3/4"	88,9x26,9	80x20	6	6DS2T2A4	18,25	6DS2T5A4	21,45
3"x1"	88,9x33,7	80x25	6	6DS2T2A5	18,25	6DS2T5A5	21,45
3"x1 1/4"	88,9x42,4	80x32	8	6DS2T2A6	18,25	6DS2T5A6	21,45
3"x1 1/2"	88,9x48,3	80x40	8	6DS2T2A7	18,25	6DS2T5A7	21,45
3"x2"	88,9x60,3	80x50	5	6DS2T2A8	18,25	6DS2T5A8	21,45
4"x1/2"	114,3x21,3	100x15	12	6DS2T2C3	23,25	6DS2T5C3	26,75
4"x3/4"	114,3x26,9	100x20	12	6DS2T2C4	23,25	6DS2T5C4	26,75
4"x1"	114,3x33,7	100x25	12	6DS2T2C5	23,25	6DS2T5C5	26,75
4"x1 1/4"	114,3x42,4	100x32	10	6DS2T2C6	23,65	6DS2T5C6	27,10
4"x1 1/2"	114,3x48,3	100x40	10	6DS2T2C7	23,65	6DS2T5C7	27,10
4"x2"	114,3x60,3	100x50	10	6DS2T2C8	23,65	6DS2T5C8	27,10
4"x2 1/2"	114,3x76,1	100x65	8	6DS2T2CB	23,65	6DS2T5CB	27,10
4"x3"	114,3x88,9	100x80	6	6DS2T2CA	23,65	6DS2T5CA	27,10
5"x1"	139,7x33,7	125x25	6	6DS2T2H5	28,50	6DS2T5H5	33,85
5"x2"	139,7x60,3	125x50	4	6DS2T2H8	28,50	6DS2T5H8	33,85
6 1/2" O.D.x1 1/2"	165,1x48,3	150x40	5	6DS2T2K7	33,65	6DS2T5K7	39,55
6 1/2" O.D.x2"	165,1x60,3	150x50	5	6DS2T2K8	33,65	6DS2T5K8	39,55
6 1/2" O.D.x2 1/2"	165,1x76,1	150x65	5	6DS2T2KB	33,65	6DS2T5KB	39,55
6"x1 1/4"	168,3x42,4	150x32	5	6DS2T2E6	34,40	6DS2T5E6	39,40
6"x1 1/2"	168,3x48,3	150x40	5	6DS2T2E7	34,40	6DS2T5E7	39,40
6"x2"	168,3x60,3	150x50	5	6DS2T2E8	34,40	6DS2T5E8	39,40
6"x3"	168,3x88,9	150x80	4	6DS2T2EA	34,40	6DS2T5EA	39,40
8"x2"	219,1x60,3	200x50	3	6DS2T2M8	55,65	6DS2T5M8	65,95
10"x2"	273,0x60,3	250x50	4	6DS2T2N8	72,75	6DS2T5N8	83,30
10"x2 1/2"	273,0x76,1	250x65	4	6DS2T2NB	72,75	6DS2T5NB	83,30
10"x3"	273,0x88,9	250x80	3	6DS2T2NA	72,75	6DS2T5NA	83,30

DS2 EINFACHER ABGANG MIT NUT



Ø	Ø AD. mm.	DN		ART-NR ROT (RAL 3000)	€	ART-NR VERZINKT	€
2" x 1 1/4"	60,3x42,4	50x32	15	6DS2G286	14,45	6DS2G586	17,30
2" x 1 1/2"	60,3x48,3	50x40	15	6DS2G287	14,45	6DS2G587	17,30
2 1/2" x 1"	76,1x33,7	65x25	8	6DS2G2B5	18,65	6DS2G5B5	21,80
2 1/2" x 1 1/4"	76,1x42,4	65x32	8	6DS2G2B6	18,65	6DS2G5B6	21,80
2 1/2" x 1 1/2"	76,1x48,3	65x40	8	6DS2G2B7	18,65	6DS2G5B7	21,80
3" x 1"	88,9x33,7	80x25	8	6DS2G2A5	21,70	6DS2G5A5	26,45
3" x 1 1/4"	88,9x42,4	80x32	8	6DS2G2A6	21,70	6DS2G5A6	26,45
3" x 1 1/2"	88,9x48,3	80x40	8	6DS2G2A7	21,70	6DS2G5A7	26,45
3" x 2"	88,9x60,3	80x50	5	6DS2G2A8	21,70	6DS2G5A8	26,45
4" x 1 1/4"	114,3x42,4	100x32	12	6DS2G2C6	24,00	6DS2G5C6	28,60
4" x 1 1/2"	114,3x48,3	100x40	10	6DS2G2C7	24,00	6DS2G5C7	28,60
4" x 2"	114,3x60,3	100x50	10	6DS2G2C8	24,00	6DS2G5C8	28,60
4" x 2 1/2"	114,3x76,1	100x65	8	6DS2G2CB	24,00	6DS2G5CB	28,60
4" x 3"	114,3x88,9	100x80	8	6DS2G2CA	24,00	6DS2G5CA	28,60
5" x 1 1/4"	139,7x42,4	125x32	6	6DS2G2H6	30,00	6DS2G5H6	36,05
5" x 2"	139,7x60,3	125x50	4	6DS2G2H8	30,00	6DS2G5H8	36,05
5" x 2 1/2"	139,7x76,1	125x65	4	6DS2G2HB	30,00	6DS2G5HB	36,05
5" x 3"	139,7x88,9	125x80	4	6DS2G2HA	30,00	6DS2G5HA	36,05
6 1/2" O.D x 2"	165,1x60,3	150x50	5	6DS2G2K8	40,60	6DS2G5K8	48,05
6 1/2" O.D x 2 1/2"	165,1x76,1	150x65	5	6DS2G2KB	40,60	6DS2G5KB	48,05
6" x 1 1/4"	168,3x42,4	150x32	5	6DS2G2E6	39,00	6DS2G5E6	46,85
6" x 1 1/2"	168,3x48,3	150x40	5	6DS2G2E7	39,00	6DS2G5E7	46,85
6" x 2"	168,3x60,3	150x50	5	6DS2G2E8	39,00	6DS2G5E8	46,85
6" x 2 1/2"	168,3x76,1	150x65	4	6DS2G2EB	39,00	6DS2G5EB	46,85
6" x 3"	168,3x88,9	150x80	4	6DS2G2EA	39,00	6DS2G5EA	46,85
6" x 4"	168,3x114,3	150x100	4	6DS2G2EC	39,00	6DS2G5EC	46,85
8" x 2"	219,1x60,3	200x50	3	6DS2G2M8	64,50	6DS2G5M8	78,95
8" x 2 1/2"	219,1x76,1	200x65	3	6DS2G2MB	64,50	6DS2G5MB	78,95
8" x 3"	219,1x88,9	200x80	3	6DS2G2MA	64,50	6DS2G5MA	78,95
8" x 4"	219,1x114,3	200x100	3	6DS2G2MC	64,50	6DS2G5MC	78,95
10" x 4"	273,0x114,3	250x100	3	6DS2G2NC	99,20	6DS2G5NC	120,90


DA1 ABGANG MIT STAHLBÜGEL GEWINDE



Ø	Ø AD. mm.	DN		ART-NR ROT (RAL 3000)	€	ART-NR VERZINKT	€
1 1/4" x 1/2"	42,4x21,3	32x15	32	6DA2T263	7,15	6DA2T563	8,45
1 1/4" x 3/4"	42,4x26,9	32x20	32	6DA2T264	7,15	6DA2T564	8,45
1 1/4" x 1"	42,4x33,7	32x25	32	6DA2T265	7,15	6DA2T565	8,45
1 1/2" x 1/2"	48,3x21,3	40x15	32	6DA2T273	7,60	6DA2T573	8,80
1 1/2" x 3/4"	48,3x26,9	40x20	32	6DA2T274	7,60	6DA2T574	8,80
1 1/2" x 1"	48,3x33,7	40x25	24	6DA2T275	7,60	6DA2T575	8,80
2" x 1/2"	60,3x21,3	50x15	30	6DA2T283	7,75	6DA2T583	8,90
2" x 3/4"	60,3x26,9	50x20	30	6DA2T284	7,75	6DA2T584	8,90
2" x 1"	60,3x33,7	50x25	20	6DA2T285	7,75	6DA2T585	8,90
2 1/2" x 1/2"	76,1x21,3	65x15	20	6DA2T2B3	10,25	6DA2T5B3	12,10
2 1/2" x 3/4"	76,1x26,9	65x20	20	6DA2T2B4	10,25	6DA2T5B4	12,10
2 1/2" x 1"	76,1x33,7	65x25	20	6DA2T2B5	10,25	6DA2T5B5	12,10


90 WINKEL 90°



Ø	Ø AD. mm.	DN		ART-NR ROT (RAL 3000)	€	ART-NR VERZINKT	€
1"	33,7	25	40	60900205	3,60	60900505	4,45
1 1/4"	42,4	32	32	60900206	4,50	60900506	5,30
1 1/2"	48,3	40	24	60900207	5,20	60900507	6,25
2"	60,3	50	14	60900208	8,55	60900508	10,10
2 1/2"	76,1	65	6	6090020B	11,15	6090050B	13,05
3"	88,9	80	4	6090020A	13,15	6090050A	15,65
4"	114,3	100	4	6090020C	20,35	6090050C	24,10
5"	139,7	125	2	6090020H	30,25	6090050H	36,10
6 1/2" O.D	165,1	150	1	6090020K	42,80	6090050K	50,55
6"	168,3	150	1	6090020E	42,50	6090050E	50,30
8"	219,1	200	1	6090020M	86,65	6090050M	102,60
10"	273,0	250	1	6090020N	151,70	6090050N	179,15
12"	323,9	300	1	6090020Q	209,35	6090050Q	248,40


90S WINKEL 90° "S"



Ø	Ø AD. mm.	DN		ART-NR ROT (RAL 3000)	€	ART-NR VERZINKT	€
2"	60,3	50	30	6090S208	6,65	6090S508	7,70
2 1/2"	76,1	65	14	6090S20B	8,55	6090S50B	10,10
3"	88,9	80	10	6090S20A	10,60	6090S50A	12,15
4"	114,3	100	10	6090S20C	16,40	6090S50C	19,05
5"	139,7	125	6	6090S20H	24,20	6090S50H	28,35
6 1/2" O.D	165,1	150	4	6090S20K	33,25	6090S50K	39,15
6"	168,3	150	4	6090S20E	32,90	6090S50E	39,05
8"	219,1	200	1	6090S20M	67,85	6090S50M	78,05


105 WINKEL 11.25°



Ø	Ø AD. mm.	DN		ART-NR ROT (RAL 3000)	€	ART-NR VERZINKT	€
1 1/4"	42,4	32	48	61050206	4,95	61050506	5,75
1 1/2"	48,3	40	40	61050207	5,75	61050507	6,55
2"	60,3	50	27	61050208	8,15	61050508	9,50
2 1/2"	76,1	65	12	6105020B	11,20	6105050B	13,05
3"	88,9	80	12	6105020A	15,95	6105050A	18,70
4"	114,3	100	12	6105020C	27,75	6105050C	32,30
5"	139,7	125	5	6105020H	40,65	6105050H	47,25
6 1/2" O.D	165,1	150	4	6105020K	55,50	6105050K	64,35
6"	168,3	150	4	6105020E	55,50	6105050E	64,35
8"	219,1	200	1	6105020M	110,75	6105050M	128,65

110 WINKEL 22.5°



Ø	Ø AD. mm.	DN		ART-NR ROT (RAL 3000)	€	ART-NR VERZINKT	€
1 1/4"	42,4	32	40	61100206	4,95	61100506	5,75
1 1/2"	48,3	40	40	61100207	5,75	61100507	6,55
2"	60,3	50	18	61100208	8,15	61100508	9,50
2 1/2"	76,1	65	10	6110020B	11,20	6110050B	13,05
3"	88,9	80	8	6110020A	15,95	6110050A	18,70
4"	114,3	100	6	6110020C	27,75	6110050C	32,30
5"	139,7	125	3	6110020H	40,65	6110050H	47,25
6 1/2" O.D	165,1	150	2	6110020K	55,50	6110050K	64,35
6"	168,3	150	2	6110020E	55,50	6110050E	64,35
8"	219,1	200	1	6110020M	110,75	6110050M	128,65

120 WINKEL 45°



Ø	Ø AD. mm.	DN		ART-NR ROT (RAL 3000)	€	ART-NR VERZINKT	€
1"	33,7	25	40	61200205	3,90	61200505	4,75
1 1/4"	42,4	32	36	61200206	4,35	61200506	5,05
1 1/2"	48,3	40	36	61200207	4,85	61200507	5,80
2"	60,3	50	18	61200208	6,25	61200508	7,15
2 1/2"	76,1	65	10	6120020B	8,30	6120050B	9,65
3"	88,9	80	6	6120020A	9,95	6120050A	11,75
4"	114,3	100	6	6120020C	15,20	6120050C	17,85
5"	139,7	125	3	6120020H	25,05	6120050H	28,85
6 1/2" O.D	165,1	150	2	6120020K	31,00	6120050K	36,10
6"	168,3	150	2	6120020E	30,90	6120050E	35,75
8"	219,1	200	1	6120020M	67,85	6120050M	78,05
10"	273,0	250	1	6120020N	140,20	6120050N	162,15
12"	323,9	300	1	6120020Q	236,95	6120050Q	279,45

240 KONZENTRISCHE REDUZIERUNG



Ø	Ø AD. mm.	DN		ART-NR ROT (RAL 3000)	€	ART-NR VERZINKT	€
1 1/4"x1"	42,4x33,7	32x25	60	62400265	6,90	62400565	9,45
1 1/2"x1"	48,3x33,7	40x25	50	62400275	7,70	62400575	10,05
1 1/2"x1 1/4"	48,3x42,4	40x32	50	62400276	7,70	62400576	10,05
2"x1"	60,3x33,7	50x25	36	62400285	8,55	62400585	10,85
2"x1 1/4"	60,3x42,4	50x32	36	62400286	8,55	62400586	10,85
2"x1 1/2"	60,3x48,3	50x40	36	62400287	8,55	62400587	10,85
2 1/2"x1"	76,1x33,7	65x25	18	624002B5	11,25	624005B5	14,30
2 1/2"x1 1/4"	76,1x42,4	65x32	18	624002B6	11,25	624005B6	14,30
2 1/2"x1 1/2"	76,1x48,3	65x40	18	624002B7	11,25	624005B7	14,30
2 1/2"x2"	76,1x60,3	65x50	18	624002B8	11,25	624005B8	14,30
3"x1"	88,9x33,7	80x25	21	624002A5	12,60	624005A5	15,40
3"x1 1/4"	88,9x42,4	80x32	21	624002A6	12,60	624005A6	15,40
3"x1 1/2"	88,9x48,3	80x40	21	624002A7	12,60	624005A7	15,40
3"x2"	88,9x60,3	80x50	21	624002A8	12,60	624005A8	15,40
3"x 2 1/2"	88,9x76,1	80x65	18	624002AB	12,60	624005AB	15,40
4"x1 1/4"	114,3x42,4	100x32	24	624002C6	15,80	624005C6	19,20
4"x1 1/2"	114,3x48,3	100x40	24	624002C7	15,80	624005C7	19,20
4"x2"	114,3x60,3	100x50	24	624002C8	15,80	624005C8	19,20
4"x 2 1/2"	114,3x76,1	100x65	24	624002CB	15,80	624005CB	19,20
4"x3"	114,3x88,9	100x80	18	624002CA	15,80	624005CA	19,20
5"x4"	139,7x114,3	125x100	4	624002HC	23,85	624005HC	28,45
6 1/2" O.Dx2 1/2"	165,1x76,1	150x65	7	624002KB	30,55	624005KB	36,40
6 1/2" O.Dx3"	165,1x88,9	150x80	7	624002KA	30,55	624005KA	36,40
6 1/2" O.Dx4"	165,1x114,3	150x100	7	624002KC	30,55	624005KC	36,40
6 1/2" O.Dx5"	165,1x139,7	150x125	4	624002KH	30,55	624005KH	36,40
6"x2"	168,3x60,3	150x50	7	624002E8	30,55	624005E8	36,40
6"x2 1/2"	168,3x76,1	150x65	7	624002EB	30,55	624005EB	36,40
6"x3"	168,3x88,9	150x80	7	624002EA	30,55	624005EA	36,40
6"x4"	168,3x114,3	150x100	7	624002EC	30,55	624005EC	36,40
6"x5"	168,3x139,7	150x125	4	624002EH	30,55	624005EH	36,40
8"x3"	219,1x88,9	200x80	4	624002MA	46,10	624005MA	55,15
8"x4"	219,1x114,3	200x100	4	624002MC	46,10	624005MC	55,15
8"x5"	219,1x139,7	200x125	3	624002MH	46,10	624005MH	55,15
8"x6 1/2" O.D	219,1x165,1	200x150	3	624002MK	46,10	624005MK	55,15
8"x6"	219,1x168,3	200x150	4	624002ME	46,10	624005ME	55,15
10"x6"	273,0x168,3	250x150	1	624002NE	88,25	624005NE	106,45
10"x8"	273,0x219,1	250x200	1	624002NM	88,25	624005NM	106,45
12"x8"	323,9x219,1	300x200	1	624002QM	183,65	624005QM	264,25
12"x10"	323,9x273,0	300x250	1	624002QN	189,70	624005QN	271,05

130 T-STÜCK



Ø	Ø AD. mm.	DN		ART-NR ROT (RAL 3000)	€	ART-NR VERZINKT	€
1"	33,7	25	42	61300205	5,40	61300505	6,50
1 1/4"	42,4	32	22	61300206	6,35	61300506	7,35
1 1/2"	48,3	40	18	61300207	8,00	61300507	9,55
2"	60,3	50	8	61300208	12,40	61300508	14,90
2 1/2"	76,1	65	7	6130020B	16,50	6130050B	19,45
3"	88,9	80	5	6130020A	20,00	6130050A	23,85
4"	114,3	100	3	6130020C	30,90	6130050C	37,05
5"	139,7	125	1	6130020H	49,90	6130050H	59,95
6 1/2" O.D.	165,1	150	1	6130020K	71,80	6130050K	86,00
6"	168,3	150	2	6130020E	71,45	6130050E	85,75
8"	219,1	200	1	6130020M	129,80	6130050M	153,10
10"	273,0	250	1	6130020N	252,85	6130050N	303,30
12"	323,9	300	1	6130020Q	346,75	6130050Q	411,70

130S T-STÜCK "S"



Ø	Ø AD. mm.	DN		ART-NR ROT (RAL 3000)	€	ART-NR VERZINKT	€
2"	60,3	50	18	6130S208	9,65	6130S508	11,45
2 1/2"	76,1	65	10	6130S20B	12,90	6130S50B	15,20
3"	88,9	80	6	6130S20A	15,85	6130S50A	18,80
4"	114,3	100	6	6130S20C	24,45	6130S50C	28,85
5"	139,7	125	4	6130S20H	39,70	6130S50H	47,60
6 1/2" O.D.	165,1	150	2	6130S20K	56,30	6130S50K	66,75
6"	168,3	150	2	6130S20E	56,05	6130S50E	66,45
8"	219,1	200	1	6130S20M	101,15	6130S50M	119,30

130R REDUZIERTES T-STÜCK



Ø	Ø AD. mm.	DN		ART-NR ROT (RAL 3000)	€	ART-NR VERZINKT	€
2"x1"	60,3x33,7	50x25	8	61300285	17,90	61300585	21,10
2"x1 1/2"	60,3x48,3	50x40	8	61300287	17,90	61300587	21,10
2 1/2"x1 1/4"	76,1x42,4	65x32	7	613002B6	22,55	613005B6	26,75
2 1/2"x1 1/2"	76,1x48,3	65x40	7	613002B7	22,55	613005B7	26,75
2 1/2"x2"	76,1x60,3	65x50	7	613002B8	22,55	613005B8	26,75
3"x1"	88,9x33,7	80x25	5	613002A5	27,20	613005A5	32,85
3"x1 1/4"	88,9x42,4	80x32	5	613002A6	27,20	613005A6	32,85
3"x1 1/2"	88,9x48,3	80x40	5	613002A7	27,20	613005A7	32,85
3"x2"	88,9x60,3	80x50	5	613002A8	27,20	613005A8	32,85
3"x2 1/2"	88,9x76,1	80x65	5	613002AB	27,20	613005AB	32,85
4"x1 1/2"	114,3x48,3	100x40	3	613002C7	46,30	613005C7	55,20
4"x2"	114,3x60,3	100x50	3	613002C8	46,30	613005C8	55,20
4"x2 1/2"	114,3x76,1	100x65	3	613002CB	46,30	613005CB	55,20
4"x3"	114,3x88,9	100x80	2	613002CA	46,30	613005CA	55,20
5"x4"	139,7x114,3	125x100	1	613002HC	61,75	613005HC	73,60
6 1/2" O.Dx2"	165,1x60,3	150x50	1	613002K8	90,40	613005K8	107,65
6 1/2" O.Dx2 1/2"	165,1x76,1	150x65	1	613002KB	90,40	613005KB	107,65
6 1/2" O.Dx3"	165,1x88,9	150x80	1	613002KA	90,40	613005KA	107,65
6 1/2" O.Dx4"	165,1x114,3	150x100	1	613002KC	90,40	613005KC	107,65
6 1/2" O.Dx5"	165,1x139,7	150x125	1	613002KH	90,40	613005KH	107,65
6"x2"	168,3x60,3	150x50	1	613002E8	90,40	613005E8	107,65
6"x2 1/2"	168,1x76,1	150x65	1	613002EB	90,40	613005EB	107,65
6"x3"	168,3x88,9	150x80	1	613002EA	90,40	613005EA	107,65
6"x4"	168,3x114,3	150x100	1	613002EC	90,40	613005EC	107,65
6"x5"	168,3x139,7	150x125	1	613002EH	90,40	613005EH	107,65
8"x3"	219,1x88,9	200x80	1	613002MA	183,15	613005MA	217,40
8"x4"	219,1x114,3	200x100	1	613002MC	183,15	613005MC	217,40
8"x5"	219,1x139,7	200x125	1	613002MH	183,15	613005MH	217,40
10"x6"	273,0x168,3	250x150	1	613002NE	350,40	613005NE	421,95

180

KREUZSTÜCK



Ø	Ø AD. mm.	DN		ART-NR ROT (RAL 3000)	€	ART-NR VERZINKT	€
1 1/2"	48,3	40	8	61800207	17,40	61800507	19,65
2"	60,3	50	4	61800208	25,20	61800508	28,40
2 1/2"	76,1	65	2	6180020B	31,65	6180050B	35,65
3"	88,9	80	2	6180020A	41,45	6180050A	46,90
4"	114,3	100	1	6180020C	66,20	6180050C	75,50
5"	139,7	125	1	6180020H	101,20	6180050H	116,40
6"	168,3	150	1	6180020E	135,35	6180050E	155,60

300

KAPPE



Ø	Ø AD. mm.	DN		ART-NR ROT (RAL 3000)	€	ART-NR VERZINKT	€
1"	33,7	25	165	63000205	2,30	63000505	2,65
1 1/4"	42,4	32	160	63000206	2,40	63000506	2,90
1 1/2"	48,3	40	160	63000207	2,60	63000507	3,10
2"	60,3	50	96	63000208	4,05	63000508	4,75
2 1/2"	76,1	65	52	6300020B	5,40	6300050B	6,35
3"	88,9	80	36	6300020A	6,20	6300050A	7,30
4"	114,3	100	20	6300020C	9,90	6300050C	11,50
5"	139,7	125	12	6300020H	13,35	6300050H	15,95
6 1/2" O.D	165,1	150	10	6300020K	19,95	6300050K	23,75
6"	168,3	150	10	6300020E	19,65	6300050E	23,45
8"	219,1	200	1	6300020M	30,95	6300050M	36,85
10"	273,0	250	1	6300020N	63,60	6300050N	74,80
12"	323,9	300	1	6300020Q	108,05	6300050Q	127,65

315

GEWINDEKAPPE (2") KONZENTRISCH



Ø	Ø AD. mm.	DN		ART-NR ROT (RAL 3000)	€	ART-NR VERZINKT	€
2 1/2"x2"	76,1x60,3	65x50	52	631502B8	6,90	631505B8	8,00
3"x2"	88,9x60,3	80x50	36	631502A8	8,10	631505A8	9,30
4"x2"	114,3x60,3	100x50	20	631502C8	12,50	631505C8	14,95
5"x2"	139,7x60,3	125x50	12	631502H8	18,80	631505H8	21,75
6 1/2" O.Dx2"	165,1x60,3	150x50	10	631502K8	27,95	631505K8	32,05
6"x2"	168,3x60,3	150x50	10	631502E8	27,30	631505E8	31,40

316 GEWINDEKAPPE (2") EXZENTRISCH



Ø	Ø AD. mm.	DN		ART-NR ROT (RAL 3000)	€	ART-NR VERZINKT	€
3"x2"	88,9x60,3	80x50	36	631602A8	8,45	631605A8	9,65
4"x2"	114,3x60,3	100x50	20	631602C8	13,45	631605C8	15,35
5"x2"	139,7x60,3	125x50	12	631602H8	19,95	631605H8	22,75
6"x2"	168,3x60,3	150x50	10	631602E8	25,35	631605E8	29,95
8"x2"	219,1x60,3	200x50	3	631602M8	37,80	631605M8	43,00

321 FLANSCH



Ø	Ø AD. mm.	DN		ART-NR ROT (RAL 3000)	€	ART-NR VERZINKT	€
1"	33,7	25	12	63210205	20,20	63210505	24,10
1 1/4"	42,4	32	10	63210206	21,60	63210506	25,80
1 1/2"	48,3	40	8	63210207	22,35	63210507	26,50
2"	60,3	50	4	63210208	23,85	63210508	28,25
2 1/2"	76,1	65	4	6321020B	27,10	6321050B	32,05
3"	88,9	80	5	6321020A	29,50	6321050A	34,85
4"	114,3	100	4	6321020C	37,30	6321050C	44,15
5"	139,7	125	2	6321020H	50,20	6321050H	59,50
6 1/2" O.D	165,1	150	4	6321020K	59,90	6321050K	70,20
6"	168,3	150	4	6321020E	59,55	6321050E	70,00
8"	219,1	200	1	6321020M	91,70	6321050M	108,25
10"	273,0	250	1	6321020N	148,65	6321050N	176,20
12"	323,9	300	1	6321020Q	315,50	6321050Q	374,05
8" PN10	219,1	200	1	6321120M	88,10	6321150M	101,65
10" PN10	273,0	250	1	6321120N	142,30	6321150N	162,60
12" PN10	323,9	300	1	6321120Q	308,90	6321150Q	349,60

322 FLANSCHADAPTER, zweiteilig

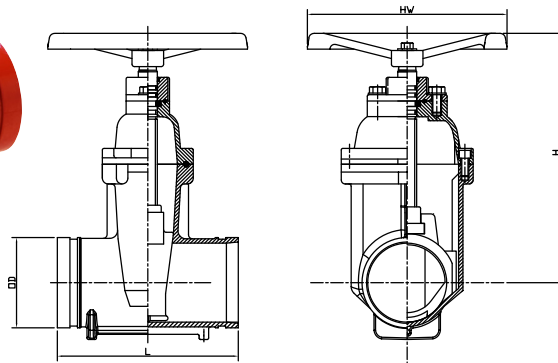


Ø	Ø AD. mm.	DN		ART-NR ROT (RAL 3000)	€	ART-NR VERZINKT	€
1 1/2"	48,3	40	16	63220207	19,00	63220507	21,85
2"	60,3	50	14	63220208	23,10	63220508	26,50
2 1/2"	76,1	65	12	6322020B	24,75	6322050B	28,45
3"	88,9	80	12	6322020A	28,30	6322050A	32,50
4"	114,3	100	10	6322020C	35,95	6322050C	41,30
5"	139,7	125	7	6322020H	48,40	6322050H	55,65
6 1/2" O.D	165,1	150	7	6322020K	55,60	6322050K	63,90
6"	168,3	150	7	6322020E	60,30	6322050E	69,40
8"	219,1	200	2	6322020M	105,70	6322050M	121,55
10"	273,0	250	2	6322020N	176,20	6322050N	202,55
12"	323,9	300	2	6322020Q	298,10	6322050Q	342,80

600 NUT-ABSPERRSCHIEBER mit HANDRAD (NRS)



STAHLROHR			CA. ABMESSUNGEN			ART-NR	€
Ø	Ø D mm.	DN	L mm.	H mm.	Ø HW mm.		
2"	60,3	50	178	218	180	6V600208	151,95
2 1/2"	76,1	65	190	230	180	6V60020B	181,25
3"	88,9	80	203	281	200	6V60020A	265,40
4"	114,3	100	229	316	254	6V60020C	358,15
5"	139,7	125	254	393	280	6V60020H	787,25
6"	168,3	150	267	420	305	6V60020E	817,70
8"	219,1	200	292	490	350	6V60020M	1.121,00



TECHNISCHE EIGENSCHAFTEN

Produktion gem. BS 5163.
 Nut gem. ISO 6182.
 Betriebsdruck: PN 16 (230 PSI; 1.6 MPa).
 Betriebstemperatur: 0° C - 80° C.
 Anwendung: Wasser, Beregnung, Feuerlösch.
 Zulassungen: UL und FM.

KOMPONENTEN

Körper und Deckel: Sphäroguss EN-GJS-450-10
Schieber: Sphäroguss EN-GJS-450-10
Beschichtung Schieber: EPDM
Spindel: Edelstahl 2Cr13
O-Ring: NBR
Handrad: Sphäroguss EN-GJS-450-10
Stopfbuche: Sphäroguss EN-GJS-450-10

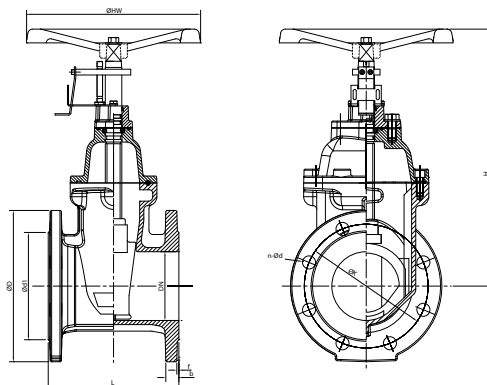
660 ABSPERRSCHIEBER mit FLANSCHANSCHLUSS (HANDRAD, NRS)



(Ref. 6VSWITC1), siehe Seite 52.

* Möglichkeit zum Anbringen einer elektronischen Überwachungseinheit vorhanden.

STAHLROHR			CA. ABMESSUNGEN									ART-NR	€
Ø	Ø D mm.	DN	L (F4) mm.	D mm.	K mm.	d1 mm.	H mm.	HW mm.	b mm.	f mm.	n-Ød mm.		
2"	60,3	50	150	165	125	99	282	180	19,0	3	4x19	6V660208	352,60
2 1/2"	76,1	65	170	185	145	118	290	180	19,0	3	4x19	6V66020B	391,55
3"	88,9	80	180	200	160	132	331	200	19,0	3	8x19	6V66020A	437,35
4"	114,3	100	190	220	180	156	366	254	19,0	3	8x19	6V66020C	569,05
5"	139,7	125	200	250	210	184	447	280	19,0	3	8x19	6V66020H	921,65
6"	168,3	150	210	285	240	211	490	305	19,0	3	8x23	6V66020E	1.059,05
8"	219,1	200	230	340	295	266	560	350	20,0	3	12x23	6V66020M	1.396,80
10"	273,0	250	250	405	355	319	706	450	22,0	3	12x28	6V66020N	2.518,80
12"	329,9	300	270	460	410	370	802	450	24,5	4	12x28	6V66020Q	3.892,65



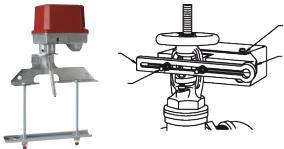
TECHNISCHE EIGENSCHAFTEN

Anschluss: Flansch gem. EN-1092-2.
 Betriebsdruck: PN 10/16 (150/230 PSI; 1.0/1.6 MPa).
 Betriebstemperatur: 0° C - 80° C.
 Anwendungsbereich: Wasserversorgung,
 Bewässerung, Feuerlöschanlagen.
 Zulassungen: VdS, UL und FM.

KOMPONENTEN

Körper und Deckel: Sphäroguss EN-GJS-450-10
Schieber: Sphäroguss EN-GJS-450-10
Überzug Schieber: EPDM
Spindel*: Edelstahl 2Cr13
O-Ring: NBR
Handrad: Sphäroguss EN-GJS-450-10
Stopfbuche: Sphäroguss EN-GJS-450-10

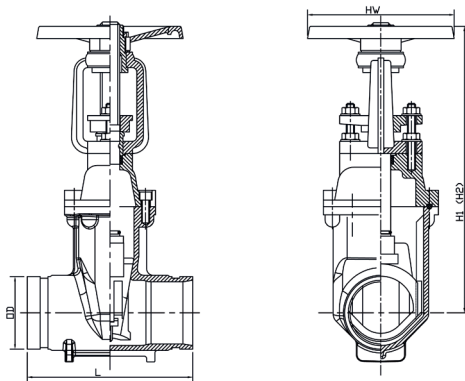
610 NUT - ABPERRSCHIEBER OS&Y mit STEIGSPINDEL (RS)



(Ref. 6VSWITC2), siehe Seite 52.

* Möglichkeit zum Anbringen einer elektronischen Überwachungseinheit vorhanden.

STAHLROHR			CA. ABMESSUNGEN				ART-NR	€
Ø	Ø D mm.	DN	L mm.	H1 CERRADA mm.	H2 ABIERTA mm.	Ø HW mm.		
2"	60,3	50	178	323	373	180	6V610208	195,20
2 1/2"	76,1	65	190	343	408	180	6V61020B	231,85
3"	88,9	80	203	370	450	200	6V61020A	266,60
4"	114,3	100	229	442	542	254	6V61020C	357,55
5"	139,7	125	254	540	665	280	6V61020H	679,95
6"	168,3	150	267	608	758	305	6V61020E	706,30
8"	219,1	200	292	720	920	350	6V61020M	972,35



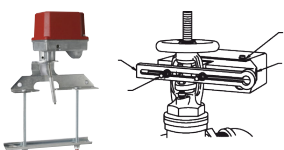
TECHNISCHE EIGENSCHAFTEN

Produktion gem. BS 5163.
 Nut gem. ISO 6182.
 Betriebsdruck: PN 16 (230 PSI; 1.6 MPa).
 Betriebstemperatur: 0° C - 80° C.
 Anwendung: Wasser, Beregnung, Feuerlösch.
 Zulassungen: UL und FM.

KOMPONENTEN

Körper und Deckel und Bügel: Sphäroguss EN-GJS-450-10
Schieber: Sphäroguss EN-GJS-450-10
Beschichtung Schieber: EPDM
Spindel*: Edelstahl 2Cr13
O-Ring: NBR
Handrad: Sphäroguss EN-GJS-450-10
Stopfbuchse: Sphäroguss EN-GJS-450-10

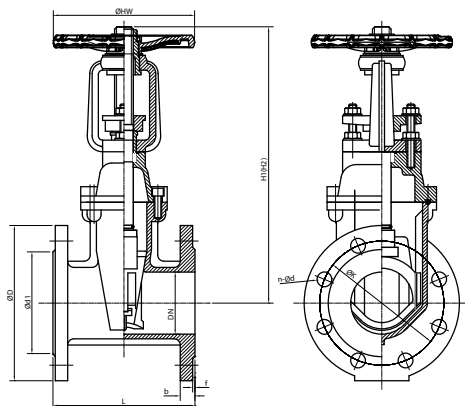
670 ABPERRSCHIEBER OS&Y mit FLANSCHANSCHLUSS und STEIGSPINDEL RS



(Ref. 6VSWITC2), siehe Seite 52.

* Möglichkeit zum Anbringen einer elektronischen Überwachungseinheit vorhanden.

STAHLROHR			CA. ABMESSUNGEN										ART-NR	€
Ø	Ø D mm.	DN	L (F4) mm.	D mm.	K mm.	d1 mm.	H1 CLOSED mm.	H2 OPEN mm.	HW mm.	b mm.	f mm.	n-Ød mm.		
2"	60,3	50	150	165	125	99	323	373	180	19,0	3	4x19	6V670208	429,35
2 1/2"	76,1	65	170	185	145	118	343	408	180	19,0	3	4x19	6V67020B	480,85
3"	88,9	80	180	200	160	132	370	450	200	19,0	3	8x19	6V67020A	520,95
4"	114,3	100	190	220	180	156	442	542	254	19,0	3	8x19	6V67020C	652,60
5"	139,7	125	200	250	210	184	540	665	280	19,0	3	8x19	6V67020H	1.104,85
6"	168,3	150	210	285	240	211	608	758	305	19,0	3	8x23	6V67020E	1.259,40
8"	219,1	200	230	340	295	266	720	920	350	20,0	3	12x23	6V67020M	1.660,10
10"	273,0	250	250	405	355	319	940	1190	450	22,0	3	12x28	6V67020N	3.262,95
12"	329,9	300	270	460	410	370	1065	1365	450	24,5	4	12x28	6V67020Q	4.694,10



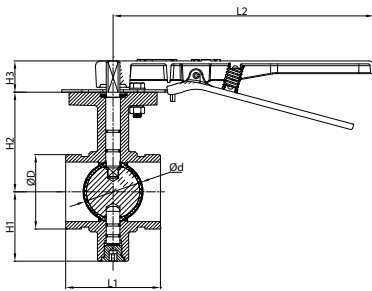
TECHNISCHE EIGENSCHAFTEN

Anschluss: Flansch gem. EN-1092-2.
 Betriebsdruck: PN 10/16 (150/230 PSI; 1.0/1.6 MPa).
 Betriebstemperatur: 0° C - 80° C.
 Anwendungsbereich: Wasserversorgung, Bewässerung, Feuerlöschanlagen.
 Zulassungen: VdS, UL und FM.

KOMPONENTEN

Körper und Deckel und Bügel: Sphäroguss EN-GJS-450-10
Schieber: Sphäroguss EN-GJS-450-10
Überzug Schieber: EPDM
Spindel*: Edelstahl 2Cr13
O-Ring: NBR
Handrad: Sphäroguss EN-GJS-450-10
Stopfbuchse: Sphäroguss EN-GJS-450-10

620 NUT-ABSPERRKLAPPE mit HANDHEBEL



STAHLROHR			CA. ABMESSUNGEN						ART-NR	€
Ø	Ø D mm.	DN	Ø d mm.	H1 mm.	H2 mm.	H3 mm.	L1 mm.	L2 mm.		
2"	60,3	50	50,3	65	89	32	81	267	6V620208	70,20
2 1/2"	76,1	65	60,8	71	102	32	97	267	6V62020B	90,90
3"	88,9	80	76,0	81	109	32	97	267	6V62020A	98,25
4"	114,3	100	98,5	95	128	32	116	267	6V62020C	133,60
5"	139,7	125	122,6	111	141	32	148	267	6V62020H	179,95
6"	168,3	150	148,0	133	153	32	148	267	6V62020E	248,35
8"	219,1	200	199,0	164	184	45	133	356	6V62020M	488,80

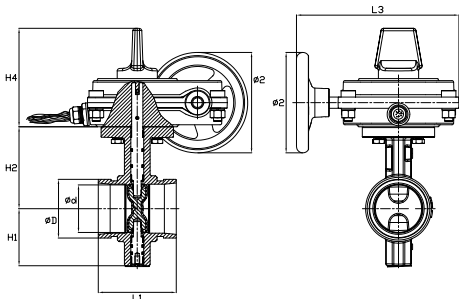
TECHNISCHE EIGENSCHAFTEN

Produktion gem. MSS SP-67.
 Nut gem. ISO 6182.
 Befestigungsflansch: ISO 5211.
 Betriebsdruck: PN 16 (230 PSI; 1.6 MPa).
 Betriebstemperatur: 0° C - 80° C.
 Anwendung: Wasser, Beregnung, Feuerlösch.

KOMPONENTEN

Körper: Sphäroguss EN-GJS-450-10
Klappe: Sphäroguss EN-GJS-450-10
Beschichtung Klappe: EPDM
Handhebel: Sphäroguss EN-GJS-450-10
O-Ring: NBR
Spindel: Edelstahl SS431

630 NUT-ABSPERRKLAPPE mit HANDRAD



STAHLROHR			CA. ABMESSUNGEN							ART-NR	€
Ø	Ø D mm.	DN	Ø d mm.	Ø 2 mm.	H1 mm.	H2 mm.	H4 mm.	L1 mm.	L3 mm.		
2"	60,3	50	50,3	125	65	89	123	81	202	6V630208	191,80
2 1/2"	76,1	65	60,8	125	71	102	123	97	202	6V63020B	206,60
3"	88,9	80	76,0	125	81	109	123	97	202	6V63020A	216,25
4"	114,3	100	98,5	125	95	128	123	116	202	6V63020C	245,85
5"	139,7	125	122,6	125	111	141	123	148	202	6V63020H	284,15
6"	168,3	150	148,0	225	133	153	123	148	202	6V63020E	358,15
8"	219,1	200	199,0	225	164	184	123	133	260	6V63020M	724,30
10"	273,0	250	252,0	225	196	216	123	159	260	6V63020N	1.058,95

TECHNISCHE EIGENSCHAFTEN

Produktion gem. MSS SP-67.
 Nut gem. ISO 6182.
 Befestigungsflansch: ISO 5211.
 Betriebsdruck: PN 16 (230 PSI; 1.6 MPa).
 Betriebstemperatur: 0° C - 80° C.
 Anwendung: Wasser, Beregnung, Feuerlösch.
 Zulassungen: VdS, UL und FM.

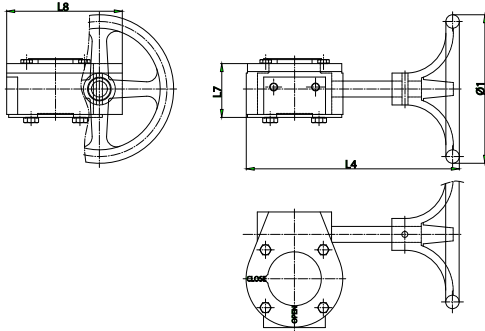
KOMPONENTEN

Körper: Sphäroguss EN-GJS-450-10
Klappe: Sphäroguss EN-GJS-450-10
Beschichtung Klappe: EPDM
Handhebel: Sphäroguss ASTM A536
O-Ring: NBR
Spindel: Edelstahl SS431

VOL HANDRAD (ZUBEHÖR)



STAHLROHR			CA. ABMESSUNGEN				ART-NR	€
Ø	Ø D mm.	DN	Ø 1 mm.	L4 mm.	L7 mm.	L8 mm.		
2" - 2 1/2" - 3"	60,3 - 76,1 - 88,9	50 - 65 - 80	150	210	54	114	6VVOL8BA	91,60
4"	114,3	100	150	210	54	114	6VVOL00C	94,05
5" - 6"	139,7 - 168,3	125 - 150	150	210	54	114	6VVOLHKE	97,80
8"	219,1	200	300	305	69	167	6VVOL00M	190,70
10"	273,0	250	300	305	69	167	6VVOL00N	196,35



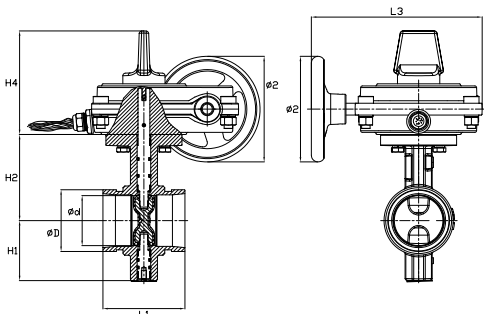
KOMPONENTEN

Körper: Sphäroguss EN-GJS-450-10
Handehebel: Sphäroguss EN-GJS-450-10
Spindel: Edelstahl UNS S43100 (SS431)

635 NUT-ABSPERRKLAPPE mit STELLUNGSANZEIGE



STAHLROHR			CA. ABMESSUNGEN							ART-NR	€
Ø	Ø D mm.	DN	Ø d mm.	Ø 2 mm.	H1 mm.	H2 mm.	H4 mm.	L1 mm.	L3 mm.		
2"	60,3	50	50,3	125	65	89	123	81	202	6V635208	280,60
2 1/2"	76,1	65	60,8	125	71	102	123	97	202	6V63520B	298,95
3"	88,9	80	76,0	125	81	109	123	97	202	6V63520A	311,20
4"	114,3	100	98,5	125	95	128	123	116	202	6V63520C	347,80
5"	139,7	125	122,6	125	111	141	123	148	202	6V63520H	402,80
6"	168,3	150	148,0	225	133	153	123	148	202	6V63520E	518,65
8"	219,1	200	199,0	225	164	184	123	133	260	6V63520M	884,80
10"	273,0	250	252,0	225	196	216	123	159	260	6V63520N	1.216,80

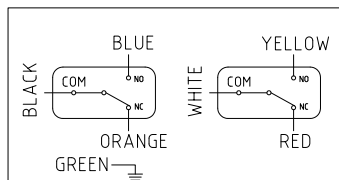


TECHNISCHE EIGENSCHAFTEN

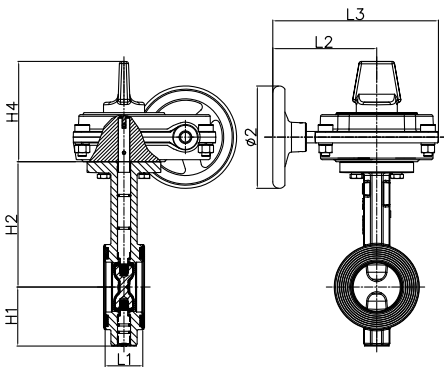
Produktion gem. MSS SP-67.
 Nut gem. ISO 6182.
 Befestigungsflansch: ISO 5211.
 Betriebsdruck: PN 16 (230 PSI; 1.6 MPa).
 Betriebstemperatur: 0° C - 80° C.
 Anwendung: Wasser, Beregnung, Feuerlösch.
 Zulassungen: VdS, UL und FM.

KOMPONENTEN

Körper: Sphäroguss EN-GJS-450-10
Klappe: Sphäroguss EN-GJS-450-10
Beschichtung Klappe: EPDM
Handehebel: Sphäroguss ASTM A536
O-Ring: NBR
Spindel: Edelstahl SS431



636 KLAPPENVENTIL TYP WAFER (HANDRAD)



STAHLROHR			CA. ABMESSUNGEN							ART-NR	€
Ø	Ø D mm.	DN	Ø 2 mm.	H1 mm.	H2 mm.	H4 mm.	L1 (±2) mm.	L2 mm.	L3 mm.		
2"	60,3	50	125	65	140,5	122,5	43	127,0	202	6V636208	247,55
2 1/2"	76,1	65	125	71	153,0	122,5	46	127,0	202	6V63620B	259,05
3"	88,9	80	125	81	157,5	122,5	46	127,0	202	6V63620A	269,65
4"	114,3	100	125	95	176,0	122,5	52	127,0	202	6V63620C	305,50
5"	139,7	125	125	111	191,0	122,5	56	127,0	202	6V63620H	347,60
6"	168,3	150	225	133	202,5	122,5	56	139,5	215	6V63620E	449,40
8"	219,1	200	225	164	243,5	122,5	60	198,5	274	6V63620M	766,65
10"	273,0	250	225	196	273,0	122,5	68	198,5	274	6V63620N	842,65
12"	323,9	300	225	226	311,0	132,0	78	202,0	293	6V63620Q	1.116,50

TECHNISCHE EIGENSCHAFTEN

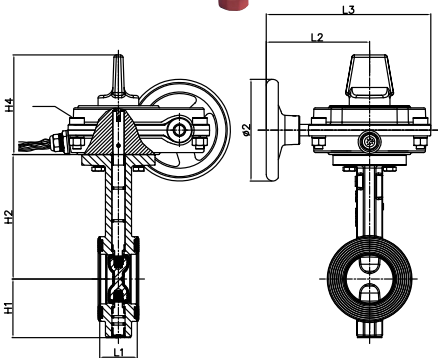
Herstellung gem. EN 593.
 Flansch für Montage Steuerung: ISO 5211.
 Betriebsdruck: PN 10/16/25
 (150/230/360 PSI; 1.0/1.6/2.5 Mpa).
 Anwendung: Wasserversorgung, Beregnung,
 Feuerschutz.
 Zulassung: UL und FM.

KOMPONENTEN

Gehäuse: Sphäroguss EN-GJS-450-10
 Scheibe: Sphäroguss EN-GJS-450-10
 Überzug Scheibe: EPDM
 Handrad: Sphäroguss EN-GJS-450-10
 O-Ring: NBR
 Spindel: Edelstahl UNS S43100 (SS431)



637 KLAPPENVENTIL TYP WAFER MIT ENDSCHALTER (HANDRAD)



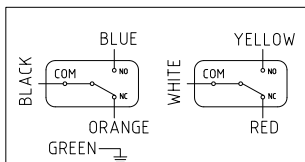
STAHLROHR			CA. ABMESSUNGEN							ART-NR	€
Ø	Ø D mm.	DN	Ø 2 mm.	H1 mm.	H2 mm.	H4 mm.	L1 (±2) mm.	L2 mm.	L3 mm.		
2"	60,3	50	125	65	140,5	122,5	43	127,0	202	6V637208	269,05
2 1/2"	76,1	65	125	71	153,0	122,5	46	127,0	202	6V63720B	281,55
3"	88,9	80	125	81	157,5	122,5	46	127,0	202	6V63720A	293,05
4"	114,3	100	125	95	176,0	122,5	52	127,0	202	6V63720C	332,00
5"	139,7	125	125	111	191,0	122,5	56	127,0	202	6V63720H	377,80
6"	168,3	150	225	133	202,5	122,5	56	139,5	215	6V63720E	488,45
8"	219,1	200	225	164	243,5	122,5	60	198,5	274	6V63720M	833,30
10"	273,0	250	225	196	273,0	122,5	68	198,5	274	6V63720N	915,90
12"	323,9	300	225	226	311,0	132,0	78	202,0	293	6V63720Q	1.213,60

TECHNISCHE EIGENSCHAFTEN

Herstellung gem. EN 593.
 Flansch für Montage Steuerung: ISO 5211.
 Betriebsdruck: PN 10/16/25
 (150/230/360 PSI; 1.0/1.6/2.5 Mpa).
 Anwendung: Wasserversorgung, Beregnung,
 Feuerschutz.
 Zulassung: UL und FM.

KOMPONENTEN

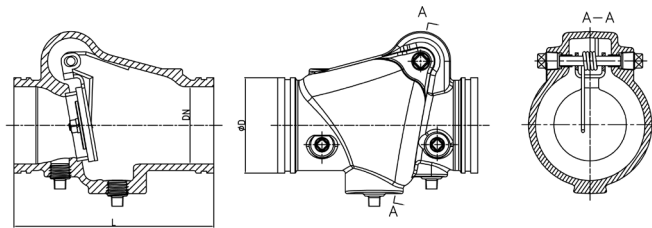
Gehäuse: Sphäroguss EN-GJS-450-10
 Scheibe: Sphäroguss EN-GJS-450-10
 Überzug Scheibe: EPDM
 Handrad: Sphäroguss EN-GJS-450-10
 O-Ring: NBR
 Spindel: Edelstahl UNS S43100 (SS431)



640 NUT-RÜCKSCHLAGKlappe



STAHLROHR			CA. ABMESSUNGEN			ART-NR	€
Ø	Ø D mm.	DN	L mm.				
2"	60,3	50	172			6V640208	108,30
2 1/2"	76,1	65	184			6V64020B	112,65
3"	88,9	80	197			6V64020A	154,35
4"	114,3	100	210			6V64020C	242,85
5"	139,7	125	248			6V64020H	427,75
6"	168,3	150	325			6V64020E	469,90
8"	219,1	200	372			6V64020M	754,25
10"	273,0	250	457			6V64020N	1.202,15
12"	323,9	300	535			6V64020Q	1.717,35



TECHNISCHE EIGENSCHAFTEN

Nut gem. ISO 6182.
 Betriebsdruck: PN 16 (230 PSI; 1.6 MPa).
 Betriebstemperatur: 0° C - 80° C.
 Anwendung: Wasser, Beregnung, Feuerlösch.
 Zulassungen: VdS, UL und FM.

KOMPONENTEN

Körper: Sphäroguss EN-GJS-450-10
Feder: Edelstahl UNS S30400 (SS304)
Klappe (DN50-DN100): Edelstahl UNS S30400 (SS304)
Klappe (DN125-DN200): Sphäroguss EN-GJS-450-10
Dichtring: EPDM
Dichtfläche: Bronze gem. ASTM B62 UNS C83600



645 RÜCKSCHLAGKlappe mit FLANSCHANSCHLUSS



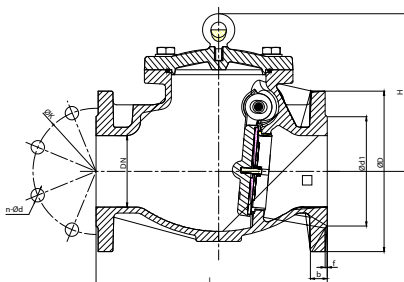
STAHLROHR			CA. ABMESSUNGEN							ART-NR	€	
Ø	Ø D mm.	DN	L (F4) mm.	D mm.	K mm.	d1 mm.	H mm.	b mm.	f mm.			n-Ød mm.
2"	60,3	50	203	165	125	99	133	19,0	3	4x19	6V645208	314,85
2 1/2"	76,1	65	216	185	145	118	150	19,0	3	4x19	6V64520B	343,45
3"	88,9	80	241	200	160	132	150	19,0	3	8x19	6V64520A	417,90
4"	114,3	100	292	220	180	156	218	19,0	3	8x19	6V64520C	563,30
5"	139,7	125	330	250	210	184	245	19,0	3	8x19	6V64520H	770,50
6"	168,3	150	356	285	240	211	290	19,0	3	8x23	6V64520E	1.001,80
8"	219,1	200	495	340	295	266	330	20,0	3	12x23	6V64520M	1.688,75
10"	273,0	250	622	405	355	319	350	22,0	3	12x28	6V64520N	2.655,05
12"	329,9	300	698	460	410	370	376	24,5	4	12x28	6V64520Q	3.751,85

TECHNISCHE EIGENSCHAFTEN

Anschluss: Flansch gem. EN-1092-2.
 Betriebsdruck: PN 10/16 (150/230 PSI; 1.0/1.6 MPa).
 Betriebstemperatur: 0° C - 80° C.
 Anwendungsbereich: Wasserversorgung,
 Bewässerung, Feuerlöchanlagen.
 Zulassungen: UL und FM.

KOMPONENTEN

Körper und Deckel: Sphäroguss EN-GJS-450-10
Schieber: Sphäroguss EN-GJS-450-10
Klappe: Sphäroguss EN-GJS-450-10
O-Ring: EPDM
Dichtring: EPDM
Dichtfläche: Bronze gem. ASTM B62 UNS C83600



SW1 GRENZTASTER für NRS ABSPERRSCHIEBER



DN	BESCHREIBUNG	ART-NR	€
50 bis 300	Grenztafter für NRS TYP 660 Absperrschieber	6VSWITC1	85,60

SW2 GRENZTASTER für RS ABSPERRSCHIEBER



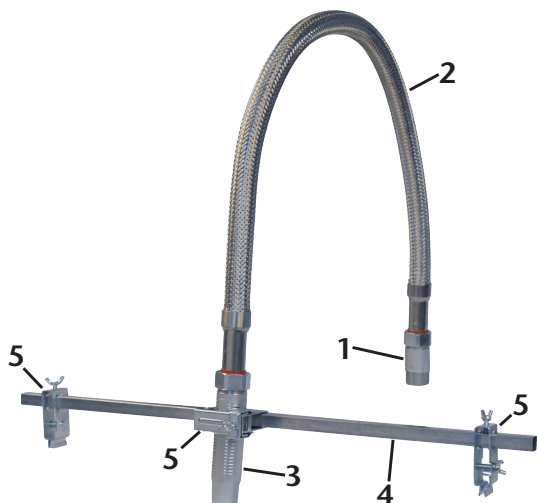
DN	BESCHREIBUNG	ART-NR	€
50 bis 300	Grenztafter für RS TYP 610 und 670 Absperrschieber	6VSWITC2	247,30

GENUTETE ROHRNIPPEL

Siehe Seite 74



FLEXSCHLÄUCHE FÜR SPRINKLERANSCHLUSS



- 1 - (1 Stck.) Rohrnickel Eingang (Gewinde R1 x M33).
- 2 - (1 Stck.) Schlauch DN25 (Panzerschlauch oder Wellrohr) variable Längen (Gewinde M33xM33).
- 3 - (1 Stck.) Red.Nippel Ausgang (Gewinde M33x1/2" NPT oder M33x 3/4" NPT).
- 4 - (1 Stck.) Halterungs-Vierkantrohr, Länge 635 mm.
- 5 - (1 Stck. mittig und 2 Stck. seitliche) Halterung mit Flügelschraube, Höhe 70 mm.

SATZ PANZERSCHLAUCH



AUSGANG 1/2" NPT			
ART-NR	LÄNGE mm.	SATZ/ KRT	€/SATZ
LFB30700	700	10	50,70
LFB31000	1000	10	56,15
LFB31200	1200	10	60,00
LFB31500	1500	10	65,55
LFB31800	1800	10	71,90

AUSGANG 3/4" NPT			
ART-NR	LÄNGE mm.	SATZ/ KRT	€/SATZ
LFB40700	700	10	50,70
LFB41000	1000	10	56,15
LFB41200	1200	10	60,00
LFB41500	1500	10	65,55
LFB41800	1800	10	71,90

SATZ WELLRÖHR



AUSGANG 1/2" NPT			
ART-NR	LÄNGE mm.	SATZ/ KRT	€/SATZ
LFU30700	700	10	36,40
LFU31000	1000	10	39,05
LFU31200	1200	10	40,65
LFU31500	1500	10	43,20
LFU31800	1800	10	46,25

AUSGANG 3/4" NPT			
ART-NR	LÄNGE mm.	SATZ/ KRT	€/SATZ
LFU40700	700	10	36,40
LFU41000	1000	10	39,05
LFU41200	1200	10	40,65
LFU41500	1500	10	43,20
LFU41800	1800	10	46,25

ZUBEHÖR



ART-NR	BESCHREIBUNG		€/SATZ
LFAT0070	SATZ HALTERUNGEN SCHRAUBEN (1 MITTIG + 2 SEITLICH) 70 mm.	70 1	10,60
LFAT0102	SATZ HALTERUNGEN SCHRAUBEN (1 MITTIG + 2 SEITLICH) 102 mm.	50 1	15,05
LFAM0070	SATZ HALTERUNGEN MIT FLUGELSCHRAUBE (1 MITTIG + 2 SEITLICH), 70 mm.	70 1	11,50
LFAM0102	SATZ HALTERUNGEN MIT FLUGELSCHRAUBE (1 MITTIG + 2 SEITLICH), 102 mm.	50 1	15,75



ART-NR	BESCHREIBUNG		€
LFRC0385	RED. WINKEL MxH (M33/DN25 x 1/2" NPT) 85 mm.	128 1	14,45
LFRC3115	RED. WINKEL MxH (M33/DN25 x 1/2" NPT) 115 mm.	96 1	17,25
LFRC0485	RED. WINKEL MxH (M33/DN25 x 3/4" NPT) 85 mm.	128 1	14,20
LFRC4115	RED. WINKEL MxH (M33/DN25 x 3/4" NPT) 115 mm.	96 1	17,10



ART-NR	BESCHREIBUNG		€
LFBS0635	HALTERUNGS-VIERKANTROHR VERZ. 635 mm.	100 10	4,40
LFBS1270	HALTERUNGS-VIERKANTROHR VERZ. 1270 mm.	50 10	9,15



ATUSA DEUTSCHLAND GmbH
Breitscheider Weg 117a
D-40885 RATINGEN - **DEUTSCHLAND**
Tel. +49 2102 92914 0
info.germany@atusagroup.com
www.atusagroup.com